



Vehicle Mounted Terminals  
Industrial PC solutions  
for visualisation and  
operation in vehicles

**adstec**

Industrial IT

Terminals for industrial applications – state-of-the-art technology in innovative design  
In the harsh environmental conditions encountered in everyday industrial use, ADS-TEC Terminals work reliably on vehicles and forklifts as well as in agricultural and construction machinery. Technology 100% made in Germany.

Terminal HDT8000 series



Terminal VMT7000 series



Terminal VMT8000 series





## Industrial IT platforms for warehouse and logistics **Technology for Professionals**

You can count on it. ADS-TEC has been providing up-to-date and powerful PC technology with an industry-orientated design for more than three decades. 100% depth of development and state of the art processes form the basis for customer-related products and individual solutions. Technology 100% made in Germany – a good feeling for ADS-TEC customers.



### Terminals **Added values**

- Different screen sizes for different application areas
- Convenient operation via touch screen and front keys
- IP65 protection against dust and water spray
- Extremely stable WLAN performance
- Powerful processor technology
- Many possible operating systems
- Outstanding design
- Everything from a single source: Even more options with the ADS-TEC software tools Big-LinX and X-Remote
- Added security with the ADS-TEC service packages

### Terminals **Areas of application**

- Vehicle terminal for forklifts, agricultural machinery and construction machinery
- MDC/PDC/QA data collection in production
- For a wide variety of applications in storage and logistics

# ADS-TEC Vehicle Mounted Terminals at a glance



## VMT7000 series Terminals with resistant industry touch screen

- 8" Wide, 10.4", 12.1", 15.0" display
- Intel Atom® Dual Core / Quad Core
- Resistant 5 wire touch screen
- Bluetooth connectivity
- IP65 all-round protection



## VMT8000 series Terminals with multi-touch-technology

- 8" Wide, 10.4", 12.1", 15.0" display
- Intel Atom® Dual Core / Quad Core
- PCAP multi-touch
- Bluetooth connectivity
- IP65 all-round protection



## HDT8000 series Terminals for use in agricultural and construction machinery

- 12.1" display
- Intel Atom® Dual Core / Quad Core
- PCAP multi-touch
- IP65 all-round protection

# VMT7000 and VMT8000 Series Product Benefits

## Tried-and-tested deployment umpteen thousands of times **For your individual logistics application**

The robust vehicle terminals of the VMT7000 and VMT8000 series are specially designed for demanding industrial environments and are even resistant to extreme loads. The right choice if you are looking for a reliable solution for your logistics application.

### VMT7000 series **Further improvement of successful technology**

- Display sizes in 8" Wide, 10.4", 12.1", 15.0"
- Resistant 5 wire touch screen
- High quality LED backlight industrial displays
- Can be operated wearing gloves
- Intel Atom® E3827 Dual Core, E3845 Quad Core
- Integrated WLAN, RFID and Bluetooth
- Wide variety of interfaces on the rear of the device beneath a cover
- Front USB
- Fan-free operation
- Temperature range -30 to +55 °C
- IP65 all-round protection against dust and water spray



### VMT8000 series **High-quality design and state-of-the-art technology**

- Display sizes in 8" Wide, 10.4", 12.1", 15.0"
- PCAP multi-touch for multi-finger operation
- Low-reflection surface for optimum view
- Scratch resistant and shatterproof front
- High quality LED backlight industrial displays
- Intel Atom® E3827 Dual Core, E3845 Quad Core
- Integrated WLAN, RFID and Bluetooth
- Wide variety of interfaces on the rear of the device beneath a cover
- Front USB
- Fan-free operation
- Temperature range of -30 to +55 °C
- IP65 all-round protection against dust and water spray



reddot design award  
winner 2013



## HIGHLIGHTS

- Very stable Wi-Fi performance
- Intel Atom® processor E3845 Quad Core
- Windows® 10 IoT Enterprise



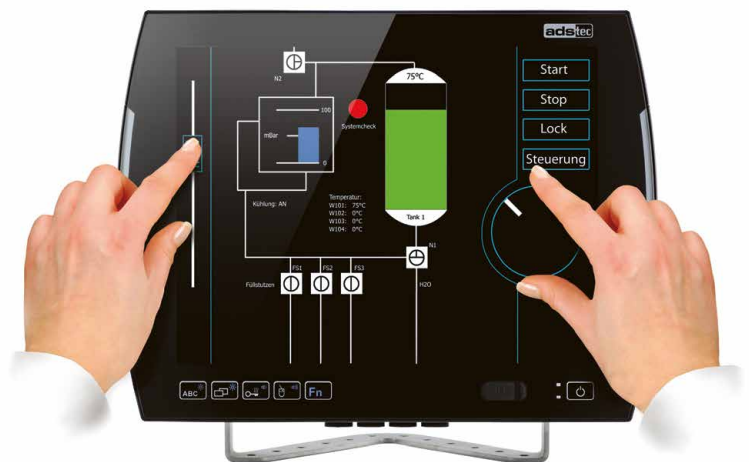
### Robust and cable-free Extended antenna concept

- ac/a/b/g/n WLAN module
- Supplementary antenna connection for an external Wi-Fi antenna for increased stability of the connection even in the difficult industrial environment
- Internal antennas – protected against theft and damage



### Fast and efficient Thanks to the latest Intel® technology

- Current Intel Atom® processor technology
- Increased processing power with low power consumption
- Fan-free operation



### Flexible operation The latest multi-touch technology

(for VMT8000 series)

- Multi-finger operation using PCAP multi-touch
- Simple and intuitive: drag, swipe, rotate, zoom
- Convenient operation on vehicles and forklifts

# VMT7000 and VMT8000 Series Product Benefits



## Soft keyboard **Data input made easy**

- The soft keyboard is available as soon as the login screen appears
- Switchover between full keyboard and optimised display for terminal emulations
- Size and content of the keyboard can be adapted easily to the respective application and specific requirements; both the numeric keypad and the alphanumeric keyboard can be displayed separately or can be combined
- Setting last used is saved automatically when the soft keyboard is closed
- Depending on the operating system, various languages and the appropriate keyboard layouts can be selected
- Colour scheme and transparent mode can also be configured
- API interface for controlling the keyboard from the customer application



## RFID identification **Simple and safe**

- RFID reader for user identification
- Integrated RFID modules
- Various transponder solutions for personal identification
- Available in 2 variants:  
RFID units Legic® and Mifare®



## Front keys **Simply ideal**

- Call-up of the soft keyboard
- Task change
- Right mouse-key
- Fn key for adjusting display brightness and volume
- Possibility of customised front key assignment

## Front USB **Simply practical**

- For service purposes or for connecting external peripherals
- Can be disabled separately using a software-controlled USB lock





#### Ignition function on vehicles **An ingenious idea**

- Switch-on using ignition voltage
- The system is disabled when the ignition key is removed
- Automatic shut-down of the terminal after a configurable period of time
- Safety when leaving the vehicle
- Fast continuation of work following interruption

#### Power leads **For mobile or stationary use**

- Terminals with 24 VDC power adapter or possibly 48 VDC variant
- Mobile and stationary – quick and easy connection to the respective power supply
- Terminal automatically switches to a »soft-off state« if it remains unused for a long period of time
- Voltage fluctuations at the vehicle are balanced out



#### Connections and interfaces **Securely connected**

- Strain relief for all cables
- Interfaces well-protected according to IP65 by a cover and secure cable gland

#### Brackets **Sturdy from the base up**

Various brackets are available to allow installation at different operation locations.



#### Bracket for table or vehicle mounting

- Mounting adapter for mounting on tables or vehicles



#### Mounting bracket left/right

- Mounting bracket for attachment to tables, to vehicles or to the wall



#### Bracket for table mounting incl. 230 V power adapter

- Mounting adapter for attaching to tables incl. table power adapter on the bracket



#### Bracket for VESA 75 standard

- Mounting adapter for VESA 75 compatible wall brackets and support arms



#### Housing for VESA 75 attachment

- Direct mounting on support arm systems as well as machines and systems



For other bracket variants, please visit:  
[www.ads-tec.de/terminals](http://www.ads-tec.de/terminals)



### The HDT8012 from ADS-TEC **For agricultural and construction machinery**

The ADS-TEC HDT8012 has been specially developed for use in agricultural and construction machinery. It is exceptionally robust and copes with the high demands of these areas without problems. Due to its compact design, it will find its place in even the smallest of cabs.



#### **HDT8000 series Added values**

- Large display with a compact design
- Convenient operation with multi-touch
- Vehicle-specific adaption of the connections
- Powerful processor technology
- Different operating systems
- High quality and outstanding design
- Everything from a single source: Even more options with the ADS-TEC software tools Big-LinX and X-Remote
- Increased security with ADS-TEC service packages

#### **HDT8000 series Areas of application**

- Operating device for construction machinery – from mini excavators to telescopic cranes
- Terminal for agricultural vehicles such as tractors or harvesters
- For visualisation, monitoring, control and operating

# HDT8000 Series – Heavy duty terminals for use in agricultural and construction machinery



## HDT8000 series High-quality design and new technology

- Fan-free with Intel Atom® processors
- 12.1" TFT display
- IP65-all-round protection against dust and water spray
- Integrated WLAN module 802.11 (ac/a/b/g/n) for optimum reception
- Practical stainless steel brackets with variable tilt angles for agricultural or construction machinery

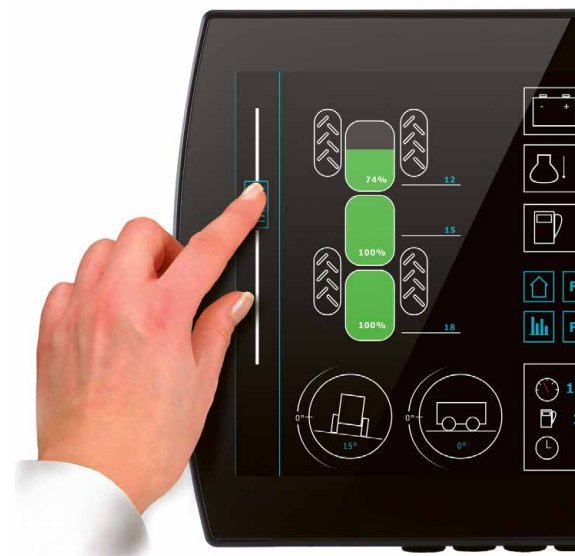
## Ignition function A sparkling idea

- Depending on the ignition voltage, the terminal can be switched on and off according to a parameterised interval
- Safety when leaving the vehicle
- Fast continuation of work following interruption



## Interfaces Communication made easy

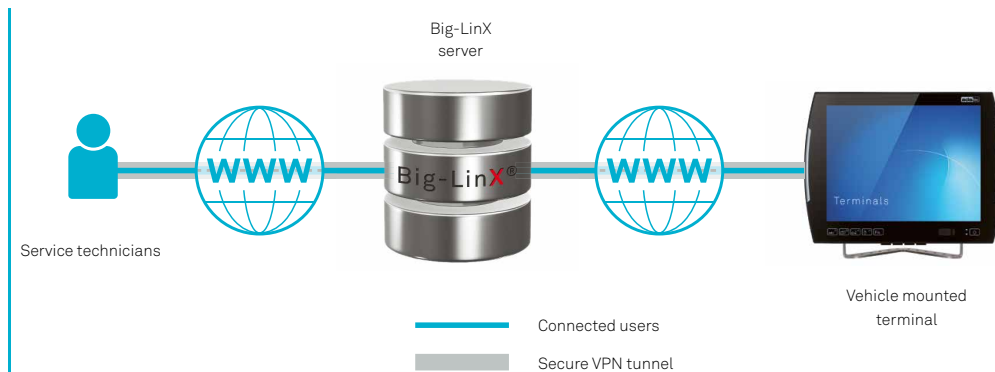
- Screw-mounted service access on the rear with rubberised cable glands to protect the interfaces
- Vehicle-specific adaptation of the connections on the rear of the device possible



## Flexible operation The latest multi-touch technology

- Multi-finger operation using PCAP multi-touch
- Operation with fingers or special styluses
- Simple and intuitive: drag, swipe, rotate, zoom
- Convenient operating of agricultural and construction machinery

# Terminals even better with ADS-TEC software tools

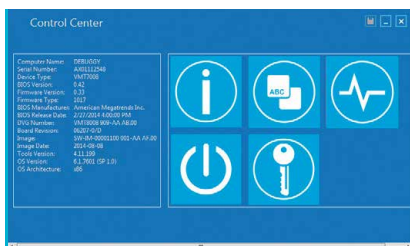


## Secure connection in the event that service should be necessary **With the ADS-TEC Big-LinX® remote management client**

With the Windows-based client, always stay securely connected to ensure smooth operation of the vehicle mounted terminals.

- Secure connection by means of Smartcard-secured VPN tunnel
- Software, firmware and BIOS are always kept up-to-date via the connection to the ADS-TEC lot service platform Big-LinX

With Big-LinX, a central platform is available to technicians or service groups for remote maintenance of any number of terminals.



### Configuration Center **Customised settings quick and easy**

- USB lock to protect against unauthorised access
- Soft keyboard configuration options
- Front panel keys for customer-specific assignment



### IGEL Linux Thin Client **An extremely stable Thin Client OS**

Your advantages at a glance

- Low acquisition and operating costs
- Low system requirements
- Future-proof due to regular, free firmware updates from IGEL ([myigel.biz](http://myigel.biz))
- High security because malware for IGEL Linux is few and far between
- Supports the leading server, peripheral and security solutions
- Comprehensive and secure remote management

## X-Remote®

### X-Remote® **Duplication and remote operation of PC desktops via local networks and the Internet**




Your advantages at a glance

- Direct real-time control and operation of distributed systems and processes with the ADS-TEC remote control software »X-Remote«.
- Windows®-based PC monitor surfaces, including the operation thereof, can be duplicated and dynamically adapted to display screen resolutions.
- Simple construction of a monitoring centre in a network in which multiple remote desktops can be displayed on one screen and operated if necessary.
- X-Remote can even be set up on mobile terminals and then monitor and control powerful computers - even via WLAN.

# ADS-TEC Service – more security


## ADS-TEC service packages **Extended Warranty in Basic, Silver and Gold or comprehensive protection with »Full Comprehensive Coverage FCC«**

In order to cover technical malfunctions it is possible, beyond the statutory warranty, to purchase an ADS-TEC industrial IT product for an extended service. In this way, it is possible to have longer-term protection against repair costs due to technical malfunctions.

	without service package			
<b>Protection against technical malfunctions</b>	– *	✓	✓	✓
<b>Contract term</b>	– *	36/60 months	36/60 months	36/60 months
<b>Processing time for the industrial IT products in event of service</b>	20 AT	10 AT	5 AT	3 AT
<b>Protection against mechanical damages</b>	– *	–	–	–

### ADS-TEC Services **Overview of the packages**

With the Basic, Silver and Gold packages, defined reaction times during 36 or 60 months can be specified for the repair, in order to keep the downtime as short as possible. These are calculated in working days (AT) from arrival of the Service Article at ADS-TEC until once again returned to the transport provider after successful repair, exclusive of any possible period subject to a cost estimate (for a repair outside of the guarantee service).

	without service package	
<b>Repair costs are accepted, even in the event of mechanical damage</b>	– *	✓

### ADS-TEC Services **Comprehensive protection »Full Comprehensive Coverage FCC«**

»Comprehensive Coverage« is the service which is comparable to fully comprehensive insurance for industrial computing products, which also takes effect in the event of sudden and externally-caused defects such as damage caused by a fall or the mechanical destruction of a touch screen. All repair costs are covered.

### ADS-TEC Services **Services & customising made to measure**

Tailored to your requirements, we provide other services such as the planning and implementation of roll-outs or the customising of operating systems and applications such as soft keyboards and RFID. Our made-to-measure service, support and maintenance agreements also ensure that you have the best possible support over the entire service life.

\*only contractually agreed warranty

# VMT7000 Series Technical Data

## Device data

	VMT7008	VMT7010	VMT7012	VMT7015	
<b>Housing</b>	Diecast aluminium, powder-coated				
<b>Front panel</b>	Glass-fibre reinforced plastic, painted				
<b>Display</b>	LED backlight	8" TFT	10.4" TFT	12.1" TFT	15.0" TFT
	Resolution	800 x 480 pixels	1024 x 768 pixels	800 x 600 pixels	1024 x 768 pixels
	Optional			1024 x 768 pixels	
	Display colours	max. 16.2 million	max. 16.2 million	max. 16.2 million	max. 16.2 million
	Automatic or manual brightness adjustment of the display				
<b>Touch</b>	Resistive industrial touch screen				
<b>Processor</b>	Intel Atom® N2600 1,6 GHz (Dual Core)				
	-	Intel Atom® E3827 1.75 GHz (Dual Core) Intel Atom® E3845 1.91 GHz (Quad Core)			
<b>RAM</b>	4 GB DDR3				
	-	8 GB DDR3			
<b>Mass storage</b>	mSATA 32, 128 GB				
<b>Interfaces</b>	COM 1 (RS232, 5 V supply can be switched in) 1 x USB 2.0 on front panel 3 x USB 2.0 (All external USB interfaces in high-current design up to 1A) Optional: COM2 (RS232, RS485 or CAN)				
<b>Network</b>	2 x 1 Gbit/s Ethernet RJ45				
<b>Sound</b>	Sound output via two internal speakers				
<b>Wireless</b>	Optional: Integrated WLAN module IEEE 802.11 ac/a/b/g/n Optional: Connection for an external antenna (RP-SMA female connector in service slot)				
<b>RFID</b>	-	Optional: Mifare® reader 13.56 MHz for ISO 14443 A Mifare® Class and Mifare® PRO cards Legic® prime reader			
	-	Optional: V4.1, V4.0 LE, V3.0+HS, V2.1+EDR			
<b>Power adapter</b>	24 VDC (10-36 VDC)				
	-	Optional: 48 VDC (18-60 VDC)			
<b>Operating system</b>	Windows® Standard 7 MUI Windows® 7 Ultimate FES MUI				
	-	Windows® 10 IoT Enterprise IGEL Linux			
<b>Protection class</b>	IP65				
<b>Operating temperature</b>	-20 °C to +55 °C (depending on mass storage device)				
	-	Optional: -30 °C to +55 °C (depending on mass storage device)			
<b>Warehouse temperature</b>	-40 °C to +80 °C				
<b>Dimensions (W x H x D)</b>	254 x 182 x 62 mm	294 x 240 x 62 mm	338 x 261 x 62 mm	400 x 305 x 65 mm	
<b>Weight</b>	Approx. 2.1 kg	Approx. 2.9 kg	Approx. 3.3 kg	Approx. 4.3 kg	
<b>Vibration and shock resistance</b>	EN 60721-3-5, class 5M2 with HDD equipment, class 5M3 (terrestrial vehicles) with SSD equipment, 5 hours of noise-type vibrations; 3.6 g rms and 30 g peak value MIL-STD 810F Annex C. Figure 514.5C (US Highway Truck Transportation)				
<b>Humidity</b>	10 to 85% non-condensing				

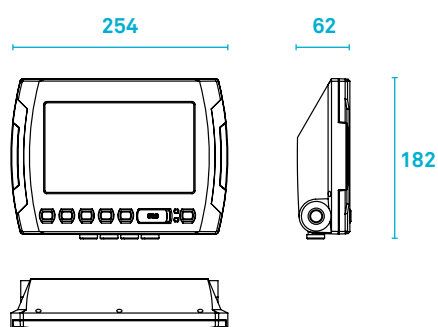
# Accessories

[Brackets](#)  
[Keyboard holders](#)  
[Power adapter](#)  
[Connecting cables](#)  
[Antenna](#)

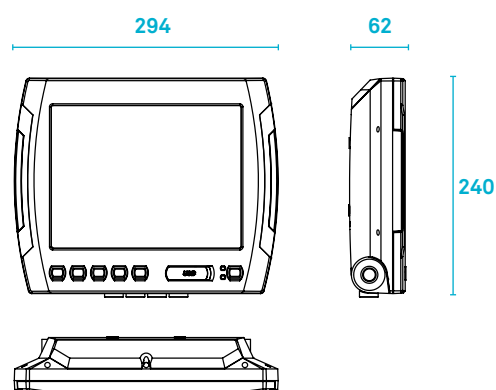


Various mounting adapters for different applications are optionally available  
 Keyboard holders in various sizes are optionally available for external keyboards  
 Table power adapter 230 VAC at 24 VDC  
 Cable kit for connection to forklifts  
 External antenna with magnetic base

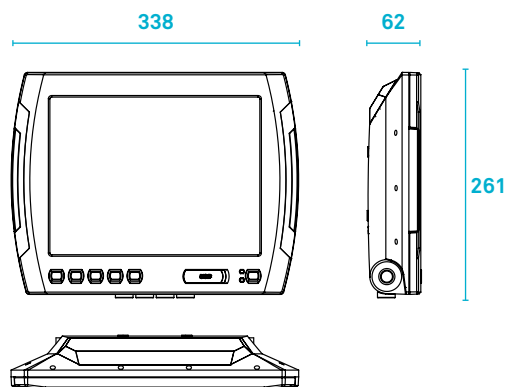
An overview of all accessories can be found at: [www.ads-tec.de/terminals](http://www.ads-tec.de/terminals)



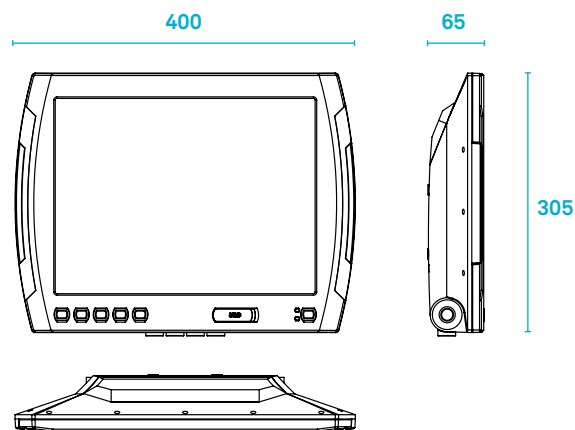
VMT7008



VMT7010



VMT7012



VMT7015

# VMT8000 Series Technical Data

## Device data

	VMT8008	VMT8010	VMT8012	VMT8015	
<b>Housing</b>	Diecast aluminium, powder-coated				
<b>Front panel</b>	3 mm glass panel, toughened and anti-reflective				
<b>Display</b>	LED backlight	8" TFT	10.4" TFT	12.1" TFT	15.0" TFT
	Resolution	800 x 480 pixels	1024 x 768 pixels	800 x 600 pixels	1024 x 768 pixels
	Optional			1024 x 768 pixels	
	Display colours	max. 16.2 million	max. 16.2 million	max. 16.2 million	max. 16.2 million
	Automatic or manual brightness adjustment of the display				
<b>Touch</b>	PCAP multi-touch				
<b>Processor</b>	Intel Atom® N2600	Intel Atom® E3827 1.75 GHz (Dual Core)			
	1.6 GHz (Dual Core)	Intel Atom® E3845 1.91 GHz (Quad Core)			
<b>RAM</b>	4 GB DDR3				
	-	8 GB DDR3			
<b>Mass storage</b>	mSATA 32, 128 GB				
<b>Interfaces</b>	COM 1 (RS232, 5 V supply can be switched in for scanners) 1 x USB 2.0 on front panel 3 x USB 2.0 (All external USB interfaces in high-current design up to 1 A) Optional: COM2 (RS232, RS485 or CAN)				
<b>Network</b>	2 x 1 Gbit/s Ethernet RJ45				
<b>Sound</b>	Sound output via two internal speakers				
<b>Wireless</b>	Optional: Integrated WLAN module IEEE 802.11 ac/a/b/g/n				
	Optional: Connection for an external antenna (RP-SMA female connector in service slot)				
<b>RFID</b>	-	Optional: Mifare® reader 13.56 MHz for ISO 14443 A Mifare® Class and Mifare® PRO cards Legic® prime reader			
	-	Optional: V4.1, V4.0 LE, V3.0+HS, V2.1+EDR			
<b>Power adapter</b>	24 VDC (10-36 VDC)				
	-	Optional: 48 VDC (18-60 VDC)			
<b>Operating system</b>	Windows® Standard 7 MUI Windows® 7 Ultimate FES MUI				
	-	Windows® 10 IoT Enterprise IGEL Linux			
<b>Protection class</b>	IP65				
<b>Operating temperature</b>	-20 °C to +55 °C (depending on mass storage device)				
	-	Optional: -30 °C to +55 °C (depending on mass storage device)			
<b>Warehouse temperature</b>	-40 °C to +80 °C				
<b>Dimensions (W x H x D)</b>	259 x 187 x 60 mm	299 x 246 x 60 mm	344 x 266 x 57 mm	405 x 310 x 61 mm	
<b>Weight</b>	Approx. 2.2 kg	Approx. 3.1 kg	Approx. 3.5 kg	Approx. 4.5 kg	
<b>Vibration and shock resistance</b>	EN 60721-3-5, class 5M2 with HDD equipment, class 5M3 (terrestrial vehicles) with SSD equipment, 5 hours of noise-type vibrations; 3.6 g rms and 30 g peak value MIL-STD 810F Annex C. Figure 514.5C (US Highway Truck Transportation)				
<b>Humidity</b>	10 to 85% non-condensing				



# Accessories

## Brackets

## Keyboard holders

## Power adapter

## Connecting cables

## Antenna



Various mounting adapters for different applications are optionally available

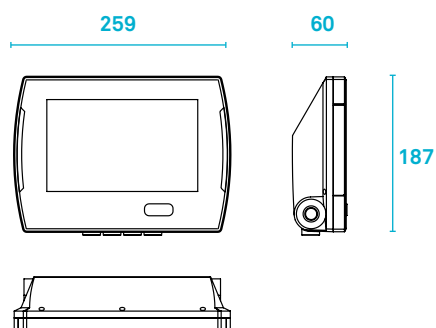
Keyboard holders in various sizes are optionally available for external keyboards

Table power adapter 230 VAC at 24 VDC

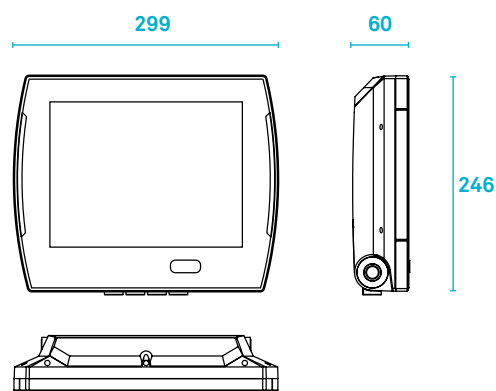
Cable kit for connection to forklifts

External antenna with magnetic base

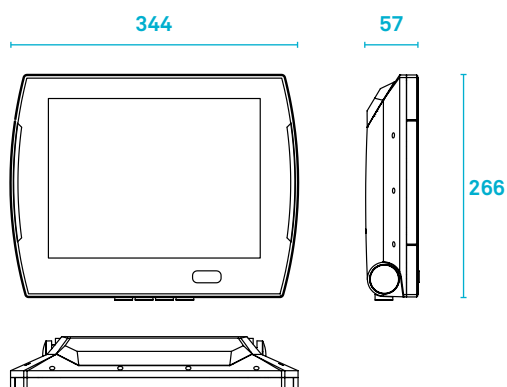
An overview of all accessories can be found at: [www.ads-tec.de/terminals](http://www.ads-tec.de/terminals)



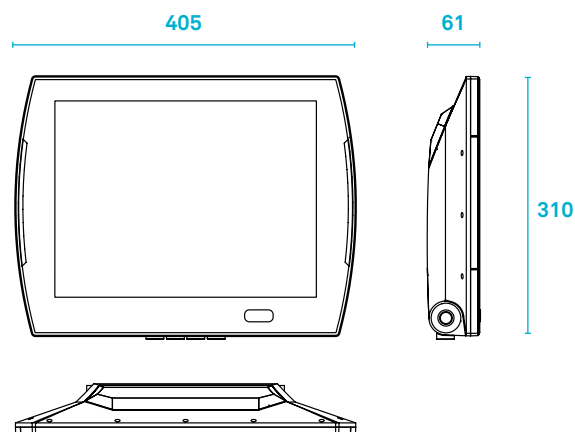
VMT8008



VMT8010



VMT8012



VMT8015

# HDT8000 Series Technical Data

## Device data

### HDT8012

<b>Housing</b>	Diecast aluminium, powder-coated
<b>Front panel</b>	3 mm glass panel, toughened and anti-reflective
<b>Display</b>	12.1" TFT LED backlight Resolution 1024 x 768 Pixel Display colours max. 16.2 million
<b>Touch</b>	Optional: Sunlight readable
<b>Processor</b>	Intel Atom® E3827 1.75 GHz (Dual Core) Intel Atom® E3845 1.91 GHz (Quad Core)
<b>RAM</b>	4 GB DDR3 8 GB DDR3
<b>Mass storage</b>	mSATA 32, 128 GB
<b>Interfaces</b>	COM 1 (RS232, 5 V supply can be switched in) 3 x USB 2.0 (All external USB interfaces in high-current design up to 1A) Optional: COM2 (RS232, RS485 or CAN), Optional: Connections on the back of the device can be adapted to the vehicle
<b>Network</b>	2 x 1 Gbit/s Ethernet RJ45
<b>Sound</b>	Sound output via two internal speakers
<b>Wireless</b>	WLAN module IEEE 802.11 ac/a/b/g/n
<b>Bluetooth</b>	V4.1, V4.0 LE, V3.0+HS, V2.1+EDR
<b>Power adapter</b>	24 VDC (10-36 VDC)
<b>Operating system</b>	Windows® 7 Windows® 7 Ultimate FES MUI Windows® 10 IoT Enterprise
<b>Protection class</b>	IP65
<b>Operating temperature</b>	-20 °C to +55 °C
<b>Warehouse temperature</b>	-40 °C to +80 °C
<b>Dimensions (W x H x D)</b>	307 x 247 x 61 mm
<b>Weight</b>	Approx. 3.0 kg
<b>Vibration and shock resistance</b>	EN 60721-3-5, class 5M2 with HDD equipment, class 5M3 (terrestrial vehicles) with SSD equipment, 5 hours of noise-type vibrations; 3.6 g rms and 30 g peak value MIL-STD 810F Annex C, Figure 514.5C (US Highway Truck Transportation)
<b>Humidity</b>	10 to 85% non-condensing

# Accessories

## Brackets

## Keyboard holders

## Antenna

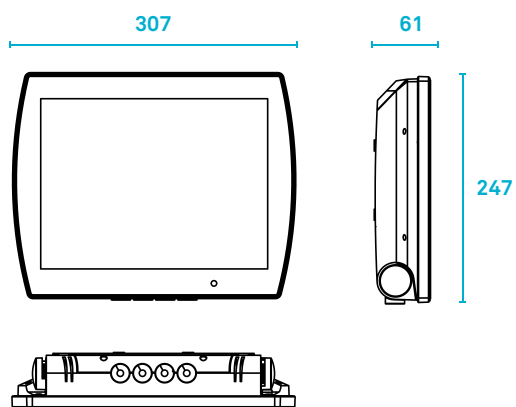


Various mounting adapters for different applications are optionally available

Keyboard holders in various sizes are optionally available for external keyboards

External antenna with magnetic base

An overview of all accessories can be found at: [www.ads-tec.de/terminals](http://www.ads-tec.de/terminals)



HDT8012



Company headquarters (above) in Nürtingen near Stuttgart, production site in Wilsdruff near Dresden

### The ADS-TEC Group **Technology for Professionals**

For decades, we follow the latest technologies for the best benefit of our customers. Depth of development and process "Made in Germany" distinguish us, so that we remain able of acting over long periods of time. On this basis we are a strong and reliable partner in the fields of "Industrial IT" and "Energy".

### Added values **For the success of our customers**

- Our products have been developed in-house for over 35 years
- 100% depth of development is the basis for long-term and individual solutions
- Customised solutions based on tried-and-tested standard products
- Partnerships with market leaders in industry and the energy sector
- Cloud-based IoT solution kit for Industry 4.0 applications and management of our battery storage systems
- Highest safety standards for worldwide data communication
- In-house laboratory and testing facilities for maximum battery safety
- Extensive range of service offerings
- Permanent technology transfer in cooperation with universities
- Involvement in networks and associations as well as research projects funded by federal and state governments



Technology  
Provider  
Platinum 2018

ads-tec GmbH  
Heinrich-Hertz-Straße 1  
72622 Nürtingen  
Phone +49 70 22 25 22-200  
Fax +49 70 22 25 22-402  
sales@ads-tec.de  
www.ads-tec.de



 TECHNOLOGY  
MADE IN GERMANY



Industrial IT

